



2 RACK EDGE POD

- 10KW (5KW per rack)
- Rack mount UPS
- N cooling redundancy
- 5-minute battery run time

CONFIGURATION OPTIONS

- Expanded rack count and density
- Cooling redundancy
- Rooftop DX cooling
- Automatic Transfer Switch (ATS)
- Extended battery run time
- EMI/HEMP compliance

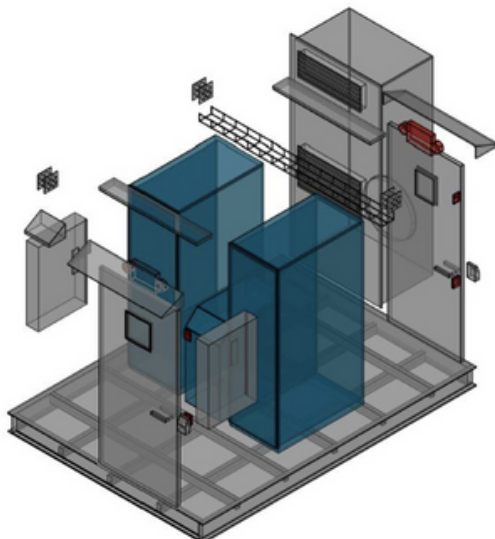
ECONOMIC ADVANTAGES

- Efficient CAPEX deployment
- Scalable infrastructure design
- Reduced time and cost on-site
- Reduced local code restrictions
- Tax classification advantages
- Accelerated depreciation

DEPLOYMENT ADVANTAGES

- Plug and play site deployment
- Rapid volume deployment capability
- Single truck transport logistics
- Built to meet local code requirement
- Factory build parallel to site work
- Factory testing and commissioning

SAMPLE CONFIGURATIONS



CONTACT INFORMATION

Mike Balduzzi
 Mike@epodsolutions.com
 410-409-7733
 epodsolution.com

Norm Hatmaker
 Norm@epodsolutions.com
 443-832-8547
 epodsolutions.com